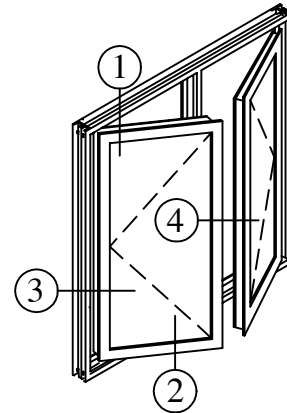
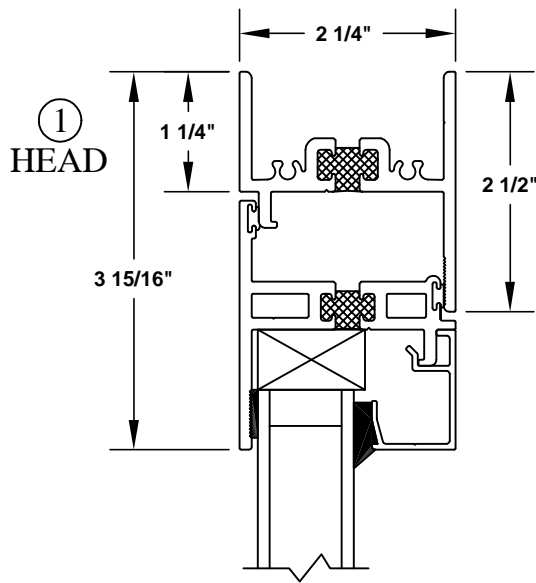
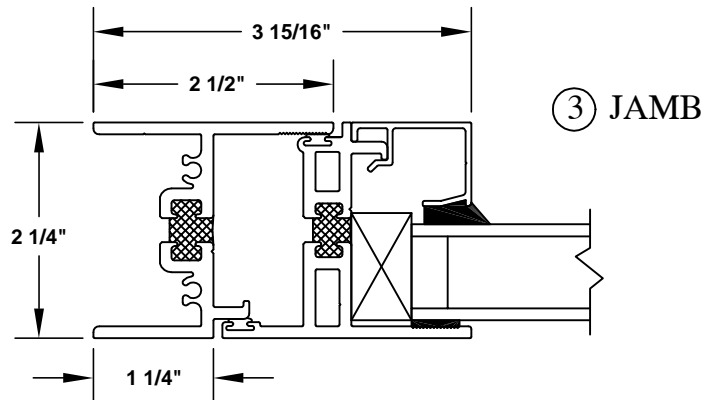


# C240 Two Lite Casement

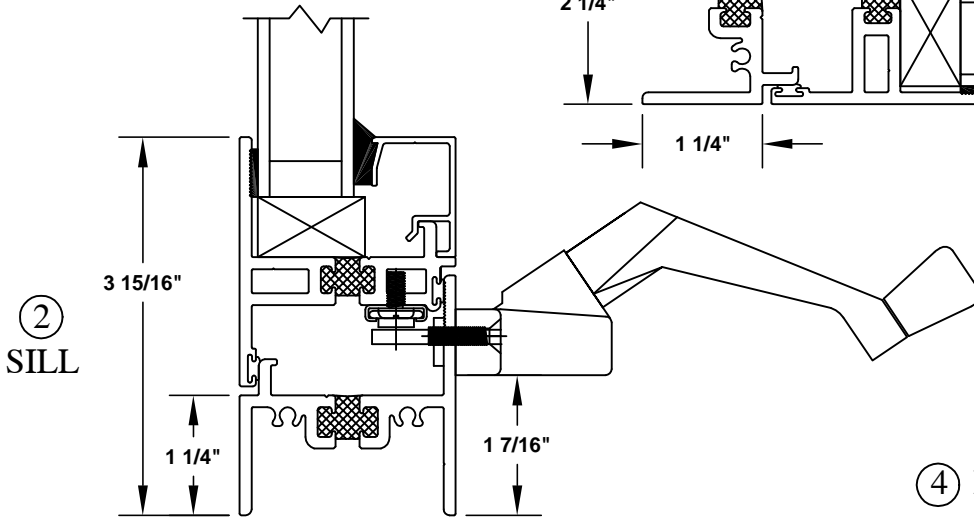
# Architectural Products



WINDOW ELEVATION

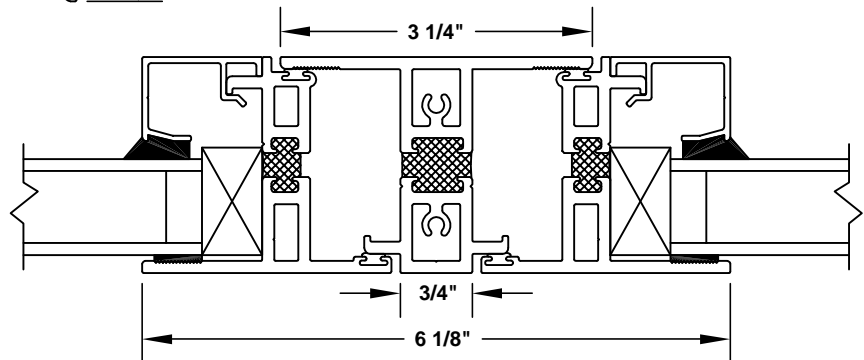


③ JAMB



② SILL

④ MEETING RAIL



01/06

ALL DRAWINGS 1/2 SCALE