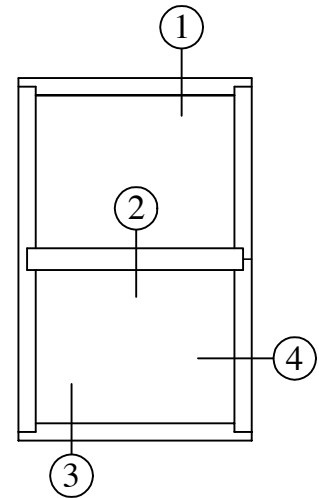
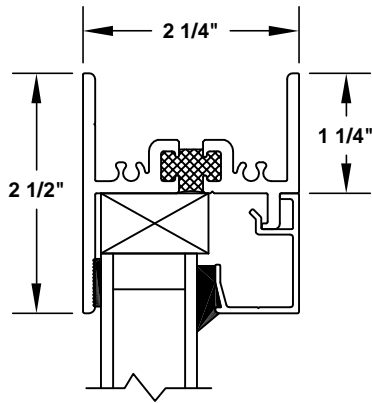


F200 2 Lite Fixed Window

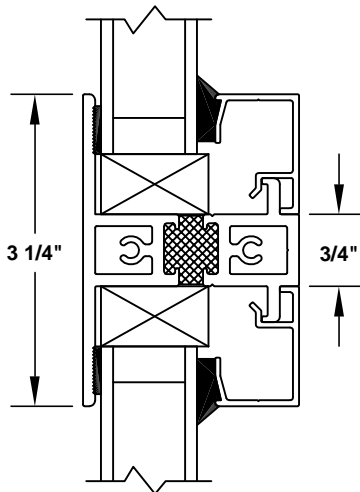
Architectural Products

① HEAD

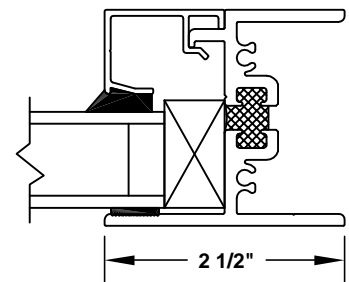


WINDOW ELEVATION

② MIDRAIL



④ JAMB



③ SILL

