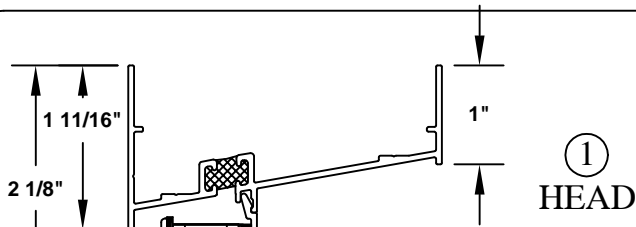
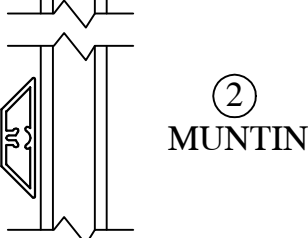


# SH920 Single Hung Window

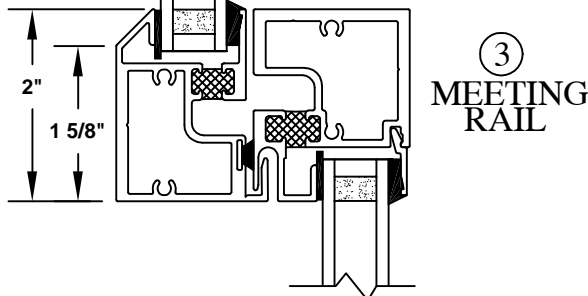
## Architectural Products



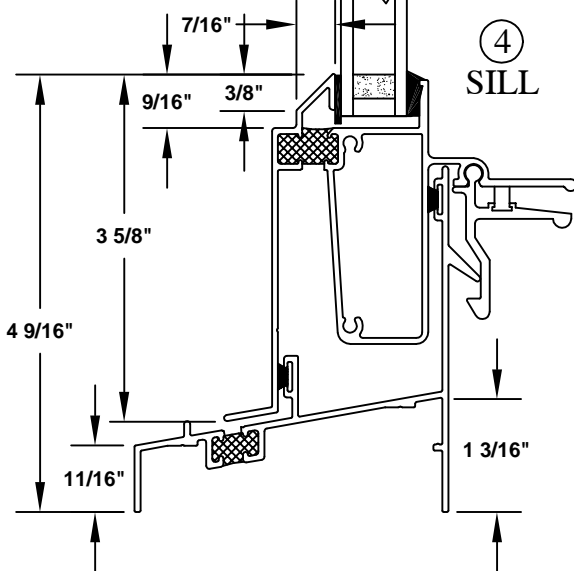
① HEAD



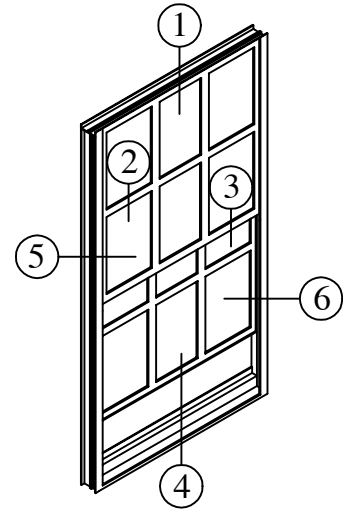
② MUNTIN



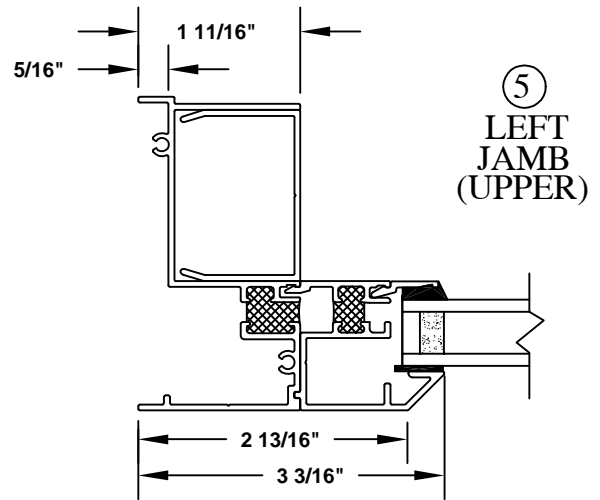
③ MEETING RAIL



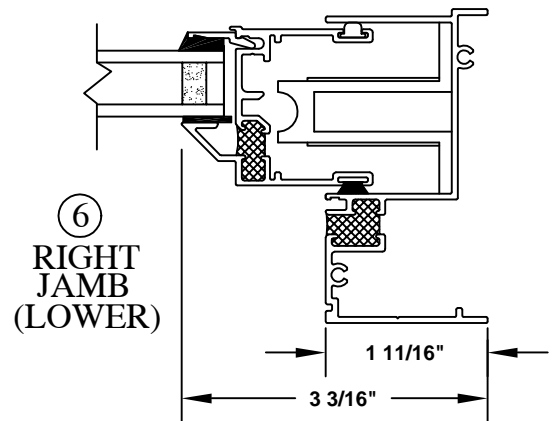
④ SILL



WINDOW ELEVATION



⑤ LEFT JAMB (UPPER)



⑥ RIGHT JAMB (LOWER)

ALL DRAWINGS 1/2 SCALE

03/06