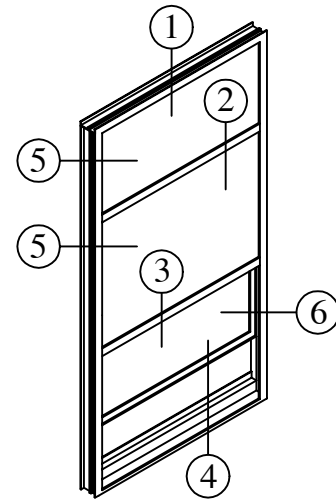
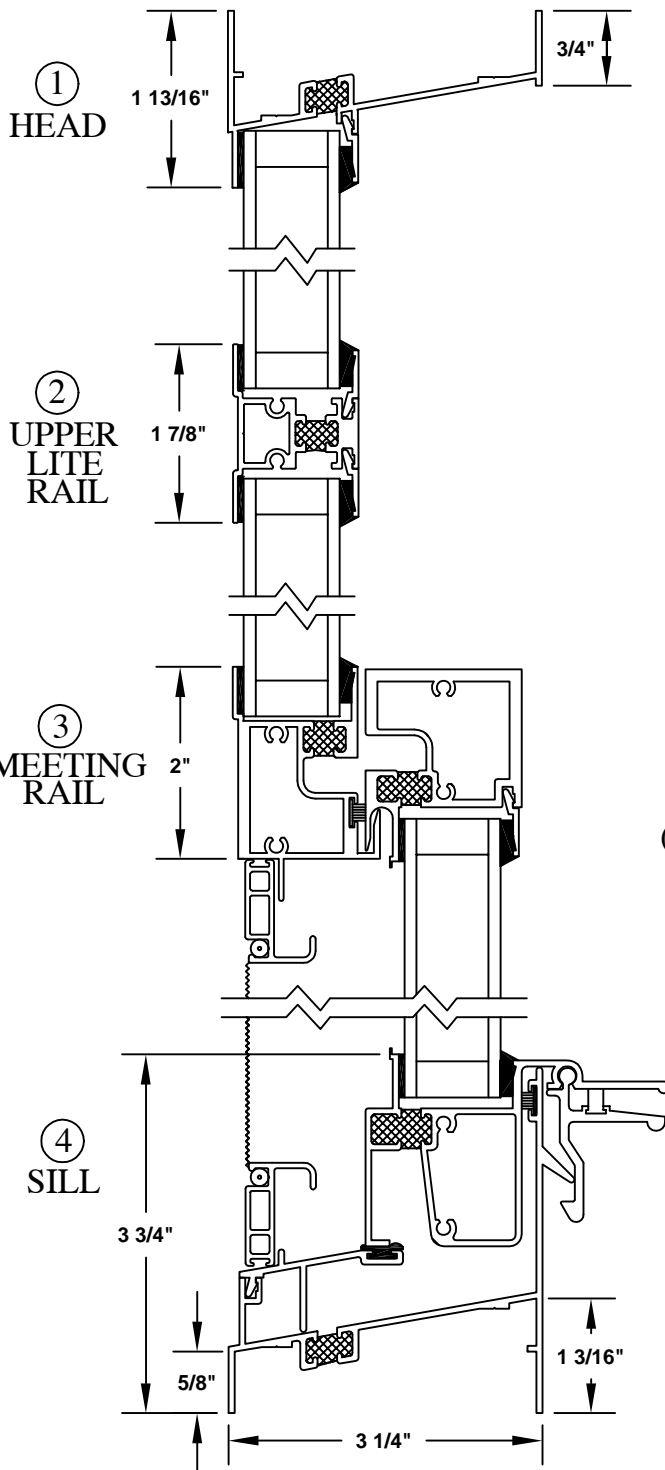
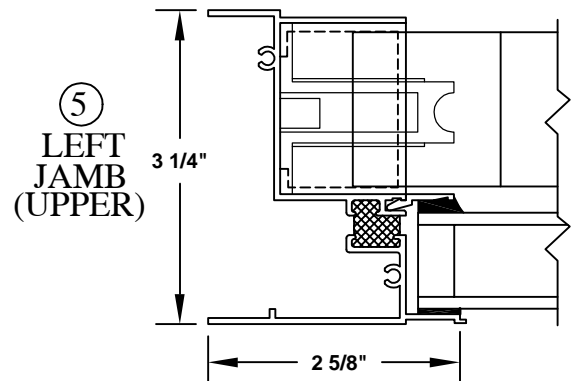


# 3 Lite Single Hung Side Load

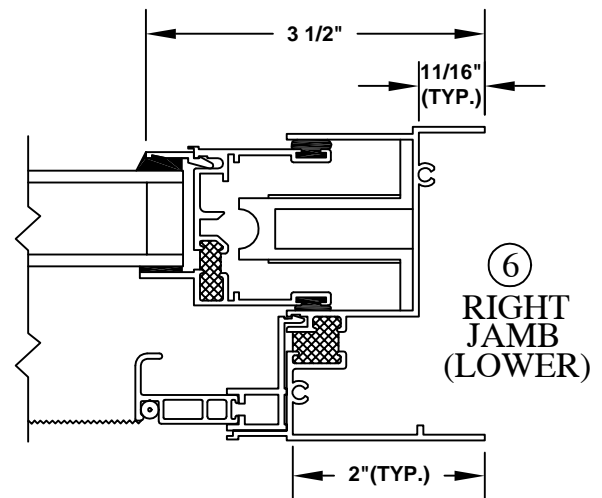
## Architectural Products



WINDOW ELEVATION



5 LEFT JAMB (UPPER)



6 RIGHT JAMB (LOWER)

03/06

ALL DRAWINGS 1/2 SCALE