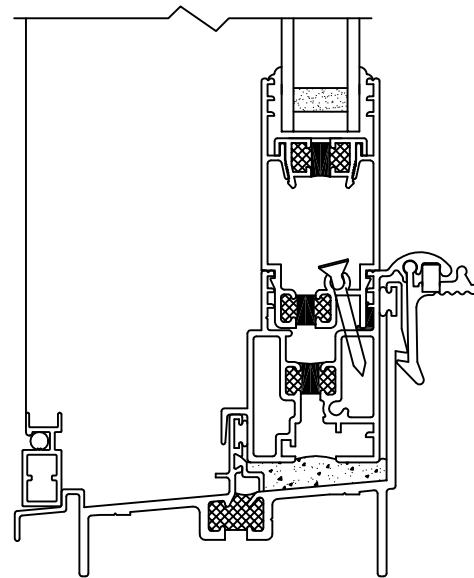
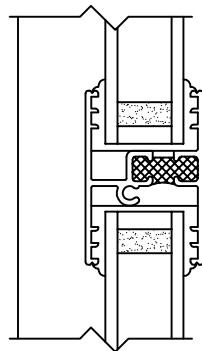


ADA LIFT RAIL



SASH EXTENSION



SASH DIVIDING BAR
HORIZONTAL ONLY