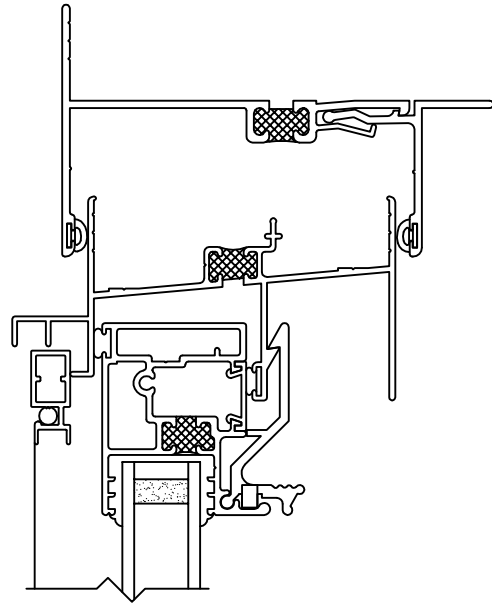
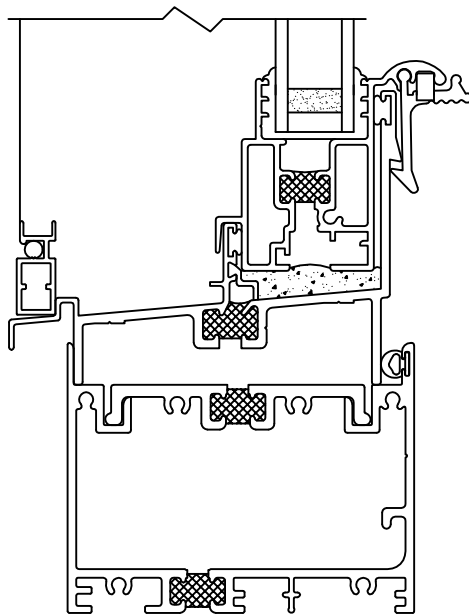


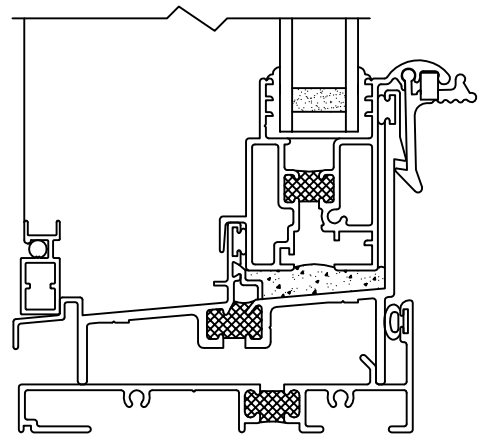
#8124-RECEPTOR  
#8125-CLIP



#8127-RECEPTOR W/FLANGE  
#8128-CLIP W/FLANGE



#8131/#8132  
10# SUBSILL/STIFFENER



#8126 STARTER SILL