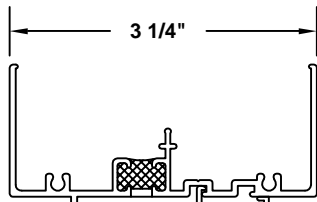


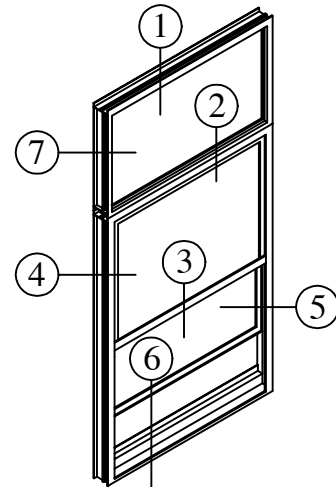
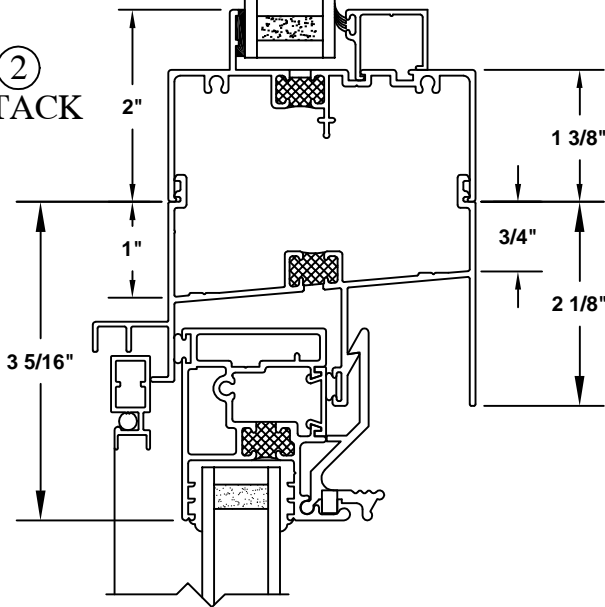
Double Hung w/ F700 Fixed

Architectural Products

①
HEAD

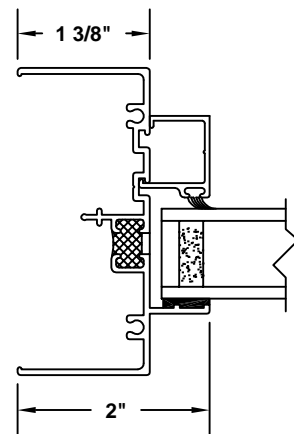


②
STACK

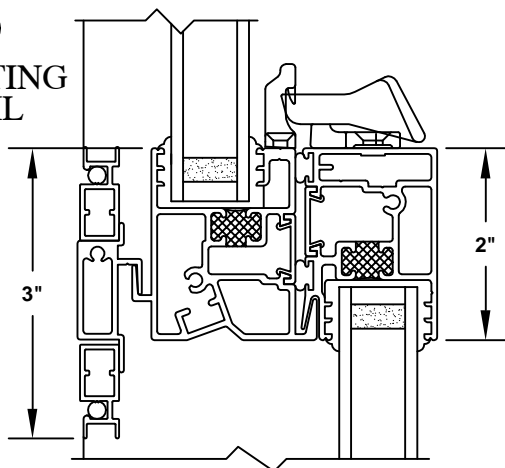


WINDOW ELEVATION

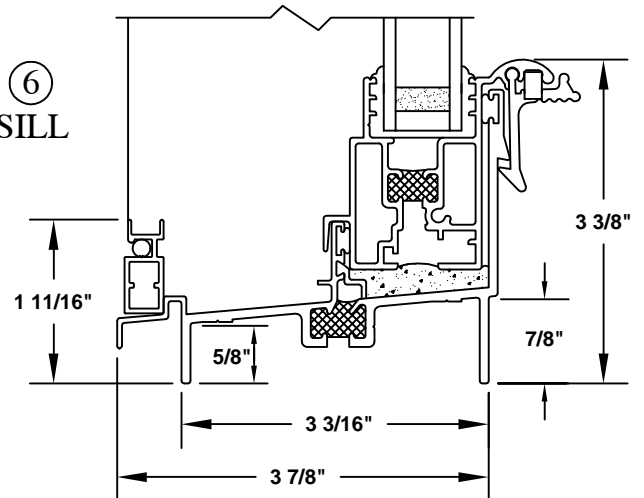
⑦
FIXED
JAMB



③
MEETING
RAIL



⑥
SILL



04/06

④ & ⑤ SEE PAGE SC-DH-1

ALL DRAWINGS 1/2 SCALE