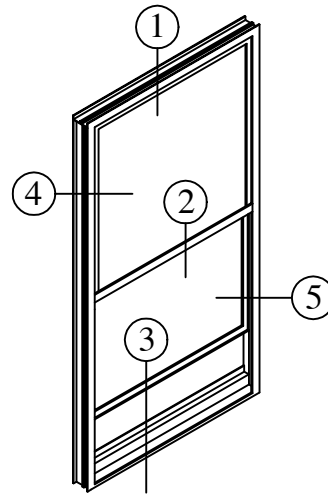
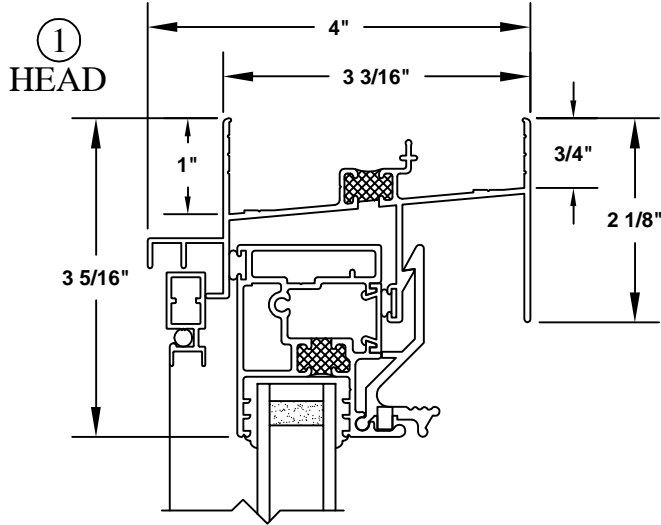
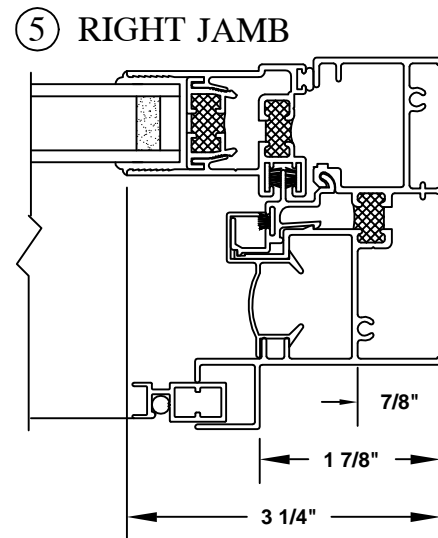
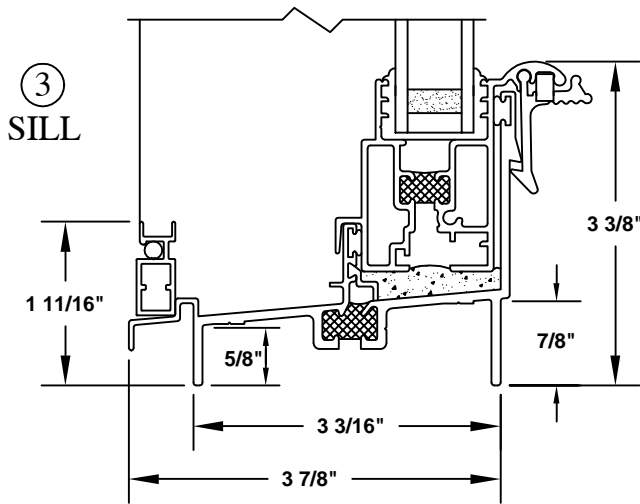
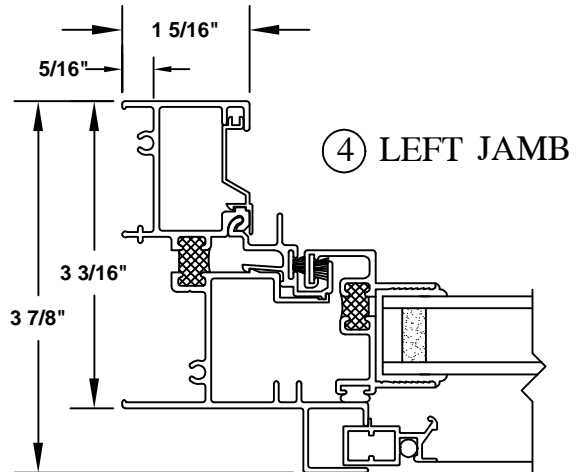
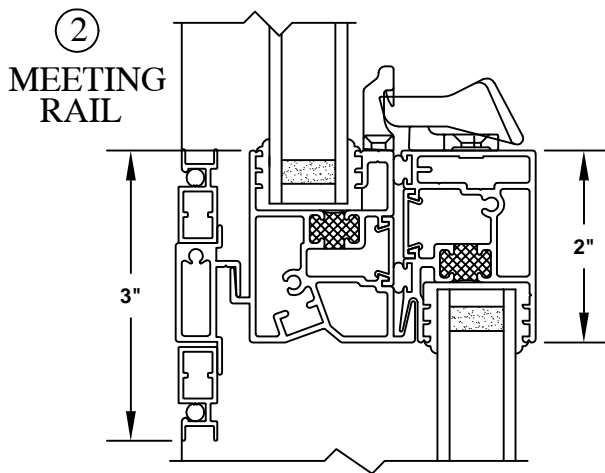


Double Hung Tilt-In Window

Architectural Products



WINDOW ELEVATION



04/06

ALL DRAWINGS 1/2 SCALE