

# CALDWELL

## FIELD ADJUSTMENT PROCEDURES FOR SINGLE OR TANDEM BALANCES

### TILT / TAKEOUT SYSTEM

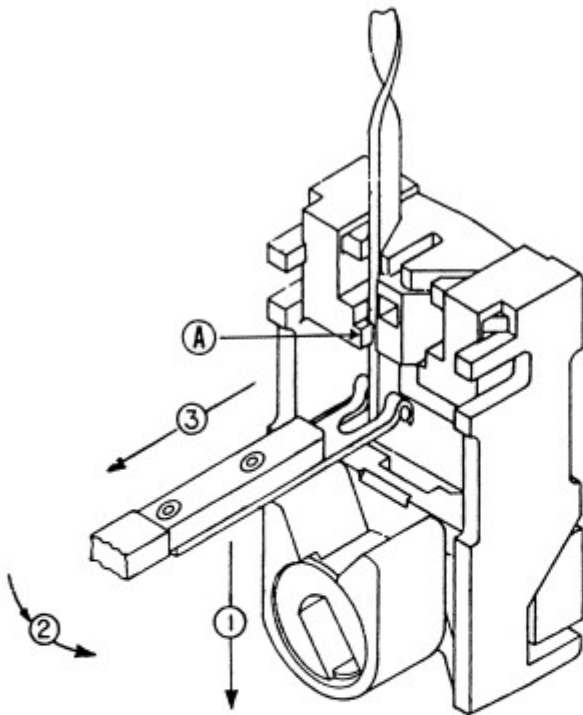
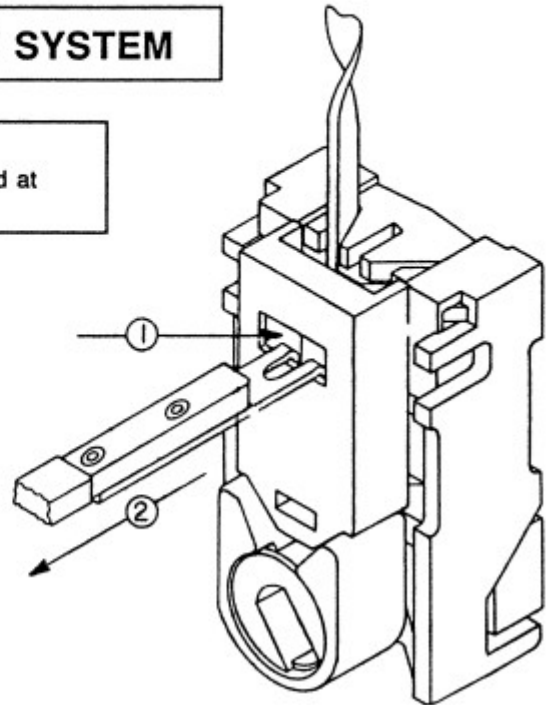
#### IMPORTANT

Before tilting lower sash, make sure that sash is raised at least 3" off sill.

#### STEP #1 Removal of Tamp-R-Lok II →

Tilt sash in, to expose pivot lock shoe.

- 1) Insert claws of tensioning tool into upper cut out.
- 2) Pull away from pivot lock shoe.



#### ← STEP #2

#### Removal of Balance Rod From Pivot Shoe

- 1) Attach tensioning tool to lower exposed roll pin, and pull spiral rod down to clear upper roll pin.
- 2) Rotate tool and rod toward the center of the pivot lock shoe to clear plastic barbs (A).
- 3) Pull towards you and out of the shoe. Be prepared to hold balance tension with the tool. Uncontrolled spin off can permanently damage the balance.
- 4) Add or subtract turns as needed to properly counterbalance sash. Replace spiral rod in shoe.

**If sash is hopping**, less tension is required. Release tension equally on both sides by allowing the tensioning tool to rotate counter-clockwise for one or two full turns. Reconnect rod to pivot shoe. Reposition sash and check operation. Repeat process if necessary.

**If sash is dropping**, add tension by rotating balance rod clockwise. Apply tension to both sides and all balances equally. Do not exceed more than one full turn at a time. Reconnect rod to tilt shoe. Reposition sash and check operation. If additional tension is required, repeat process until sash holds in any position.